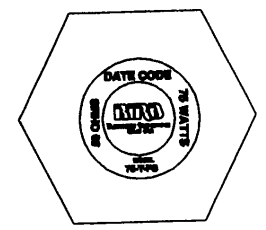
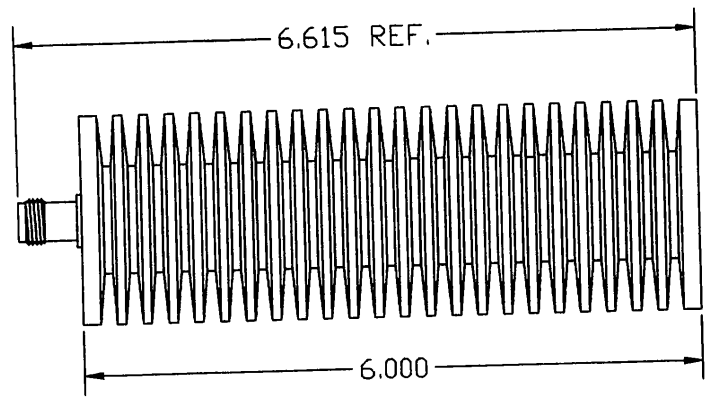
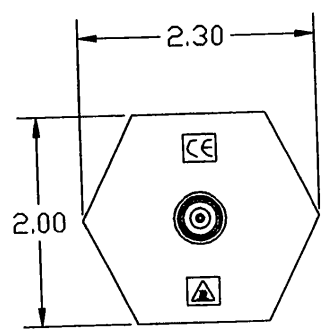


PART NUMBER 75-T-FT
 REV. A 1-6-99, ECN# 0220



SPECIFICATIONS:
 POWER RATING: 75 W MAX. @ 40°C.
 90 W MAX. @ 25°C.
 FREQUENCY RANGE & VSWR:
 DC TO 1GHz AT 1.10:1 MAX.
 1GHz TO 4GHz AT 1.25:1 MAX.
 IMPEDANCE: 50 OHMS, NOMINAL
 AMBIENT TEMPERATURE RANGE: -40°C TO +40°C
 CONNECTOR: TNC FEMALE (SILVER OR TRI-ALLOY PLATED)
 OPERATING POSITION: ANY (CONVECTION COOLED)
 FINISH: BLACK ANODIZED
 NOMINAL SIZE: APPROX. 6.615" L X 2.3" DIA.
 WEIGHT: APPROX. 1.32 LBS

UNLESS OTHERWISE SPECIFIED TOLERANCES ARE
 .XX = +/- .015
 .XXX = +/- .005
 SCALE
 DIM. ARE IN INCHES
 APPROVED BY *[Signature]*
 DATE 1-7-99

BIRD COMPONENT PRODUCTS INC.			
DESCRIPTION		75 WATT CONVECTION COOLED TERMINATION, TNC FEMALE	
DWG. BY	DATE	PART NUMBER	REV.
DMD	7-1-97	75-T-FT	A